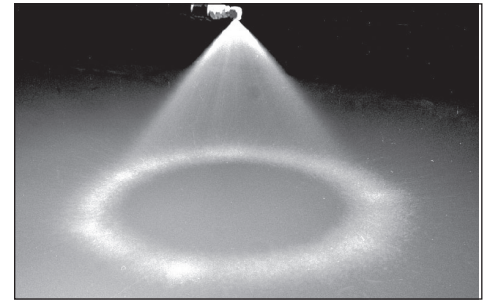
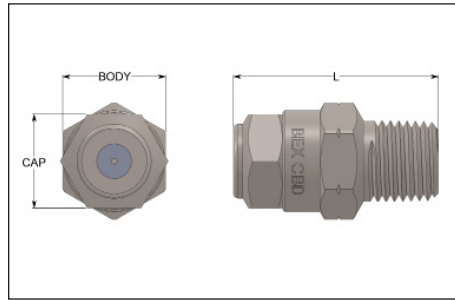
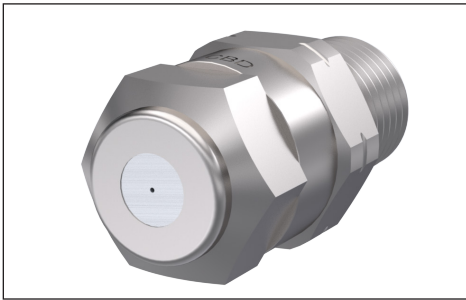




C SERIES SPRAY NOZZLES

HOLLOW CONE • THREADED CONNECTION



SPRAY CHARACTERISTICS:

C series hydraulic atomizing nozzles are designed and precision machined to provide a very fine hollow-cone spray using only the liquid pressure for atomizing. Easy disassembly/assembly and cleaning. Standard spray angle is 80° at 40 PSI.

CONSTRUCTION:

Two piece body with removable cap and core. Bodies are available in a variety of materials. The cap and core are supplied in 316 stainless steel standard.



TYPICAL APPLICATIONS:

- Humidification/Moisture Addition
- Evaporative Cooling
- Steam De-superheating

Model Number	"L"	BODY	CAP
1/4FCL	1 ¹⁵ / ₁₆	13 ¹³ / ₁₆ HEX	11 ¹¹ / ₁₆ HEX
1/4CL	2 ¹ / ₈	13 ¹³ / ₁₆ HEX	11 ¹¹ / ₁₆ HEX
1/4FCM.5L	1 ⁷ / ₈	13 ¹³ / ₁₆ HEX	5 ⁵ / ₈ HEX
1/4CM.5L	2 ¹ / ₃₂	13 ¹³ / ₁₆ HEX	5 ⁵ / ₈ HEX
1/4FC	1 ¹⁵ / ₁₆	11 ¹¹ / ₁₆ HEX	11 ¹¹ / ₁₆ HEX
C	1 ¹³ / ₃₂	11 ¹¹ / ₁₆ HEX	11 ¹¹ / ₁₆ HEX
CC	2 ⁷ / ₃₂	9 ⁹ / ₁₆ HEX	N/A

Model #		Capacities at Various Pressures USGPH								
Female	Male	30 psi	40 psi	80 psi	100 psi	200 psi	300 psi	500 psi	700 psi	1000 psi
1/4FC1.9	1/4C1.9	0.51	0.59	0.83	0.93	1.32	1.61	2.08	2.47	2.95
1/4FC2.4	1/4C2.4	0.64	0.74	1.05	1.18	1.67	2.04	2.63	3.12	3.7
1/4FC3.0	1/4C3.0	0.81	0.93	1.32	1.47	2.08	2.55	3.3	3.9	4.7
1/4FC3.8	1/4C3.8	1.02	1.18	1.67	1.86	2.64	3.2	4.2	4.9	5.9
1/4FC4.7	1/4C4.7	1.26	1.46	2.06	2.31	3.3	4.0	5.2	6.1	7.3
1/4FC5.9	1/4C5.9	1.59	1.83	2.59	2.89	4.1	5.0	6.5	7.7	9.2
1/4FC7.4	1/4C7.4	1.99	2.30	3.2	3.6	5.1	6.3	8.1	9.6	11.5
1/4FC9.2	1/4C9.2	2.47	2.85	4.0	4.5	6.4	7.8	10.1	11.9	14.3
1/4FC12	1/4C12	3.2	3.7	5.3	5.9	8.3	10.2	13.2	15.6	18.6
1/4FC14	1/4C14	3.8	4.3	6.1	6.9	9.7	11.9	15.4	18.2	21.7
1/4FC18	1/4C18	4.8	5.6	7.9	8.8	12.5	15.3	19.7	23.4	27.9
1/4FC23	1/4C23	6.2	7.1	10.1	11.3	16.0	19.5	25.2	29.9	36
1/4FC28	1/4C28	7.5	8.7	12.3	13.7	19.4	23.8	30.7	36	43
1/4FC35	1/4C35	9.4	10.9	15.4	17.2	24.3	29.7	38	45	54
1/4FC44	1/4C44	11.8	13.7	19.3	21.6	30.5	37	48	57	68
1/4FC55	1/4C55	14.8	17.1	24.1	27.0	38	47	60	71	85
1/4FC69	1/4C69	18.5	21.4	30.3	34	48	59	76	90	107
1/4FC86	1/4C86	23.1	26.7	38	42	60	73	94	112	133

